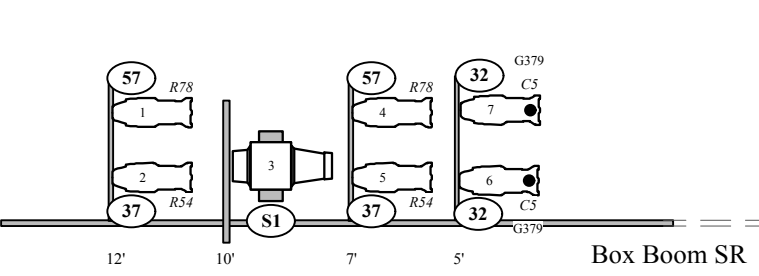
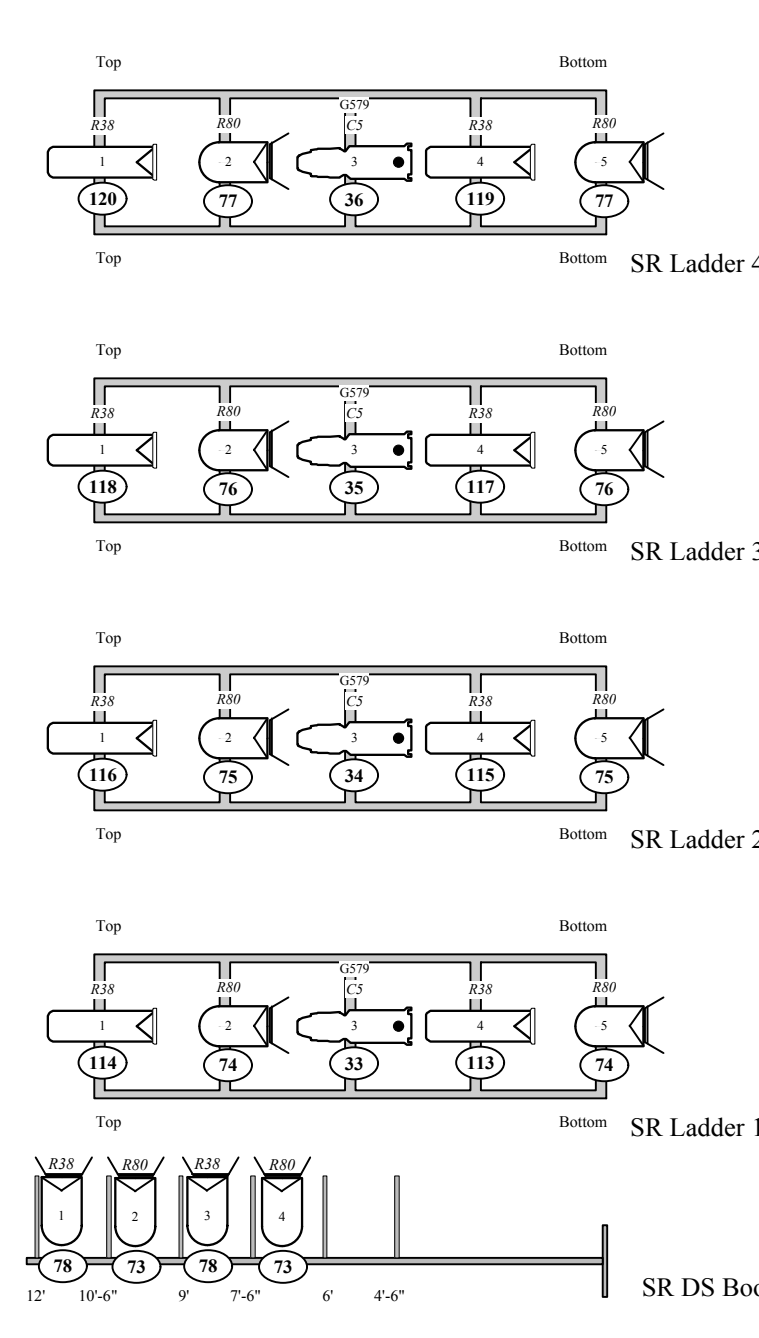


KEY	
Quantity	Fixture Type
40	Source 4 10 deg. HPL 575W
38	Source 4 36 deg. HPL 575W
37	Source 4 15-30 deg Zoom, HPL
35	Altman 20-40 Zoom, 750W
34	Par 64 WFL, 1000W
33	Altman 6x12, 750W
	Altman 6x16, 750W
	Source 4 PAR NSP, HPL 575W
	Source 4 PAR MFL, HPL 575W
	Source 4 PAR WFL, HPL 575W
	2 Cell Far Cyc
	4-ckt R40 Strip, 4x750w
	4-ckt Ministrip, 4x750w
	Barndoor
	Robe Color Wash
	Varilite Spot Fixture

TYPICAL	
R7923	Template #
R365	Color
	Template
	Unit #
17	Channel #
○	Dimmer #

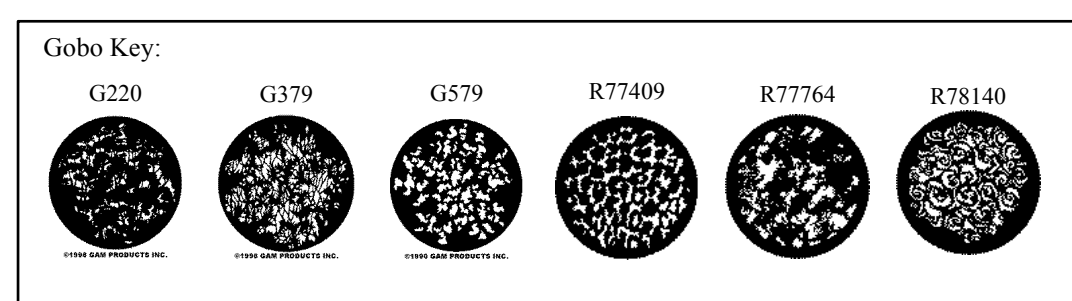
- NOTES**
- Instruments default to 18" centers, except where indicated.
  - Similar Channel numbers maybe twofold.
  - Electric trim heights shall be set visually by lighting designer.
  - Please provide at least 1 extra circuit on all overstage positions (if possible).
  - Lighting positions may be shown out of scale for clarity.
  - R=Rosco, G=GAM, L=Lee, A=Apollo
  - Please provide several cuts of R132 for front and side systems as needed for focus.
  - All fixtures should be in sharp focus and bench focused to an even field before focus.

This Drawing Represents Design Intent and Concept  
All specifications herein relate solely to the appearance of the lighting and not to matters of electrical or structural soundness and/or safety. The designer is not qualified to assess the electrical or structural appropriateness of the design. If any specifications are found to be incompatible with proper safety precautions, the designer shall make prompt modifications to the specifications in question.



**Show Color List:**

Color	Systems	SoM	Barber	G&D	Traviata
C1	HSR Side	R08	R09	R321	R09
C2	HSL Side	R09	R38	R35	R38
C3	Top Cyc	R316	L152	R124	R316
C4	Strip Cyc	R26	R365	R339	R26
C5	Ladder SR	R78	R35	R339	R38
C6	Ladder SL	R78	R35	R339	R38

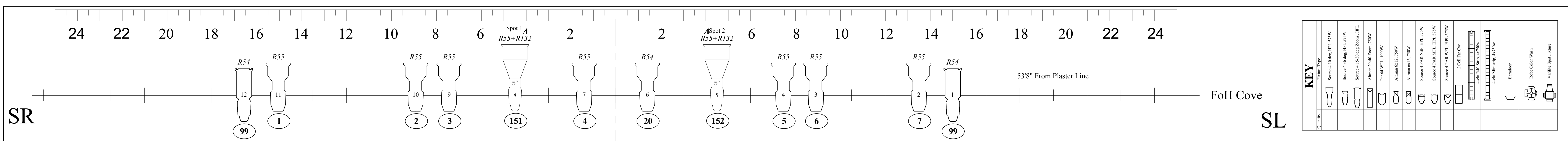
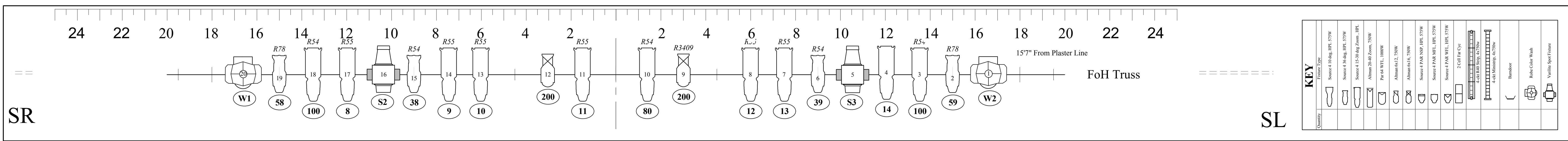
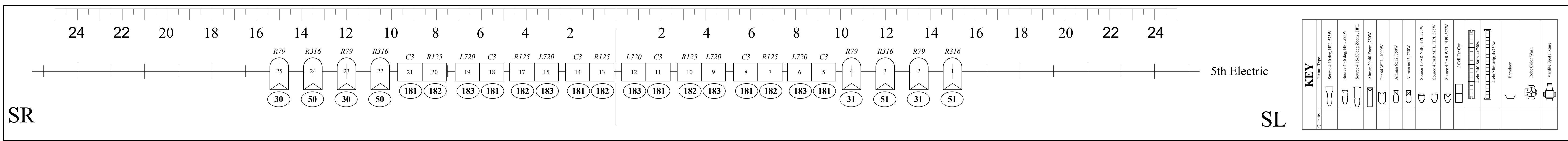
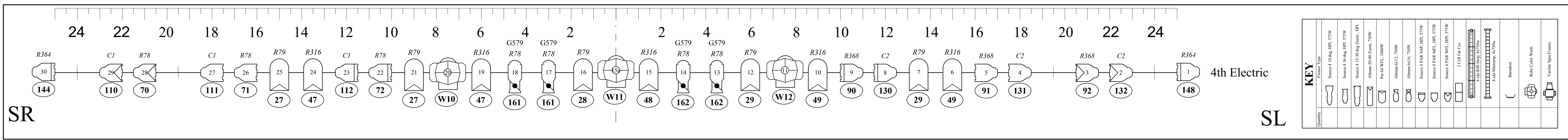
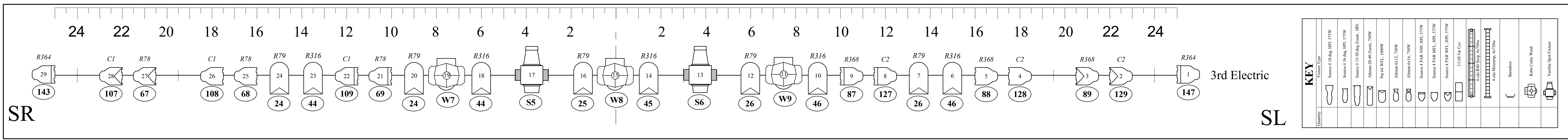
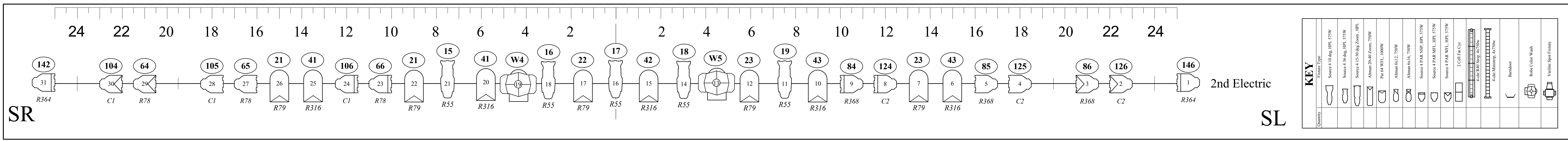
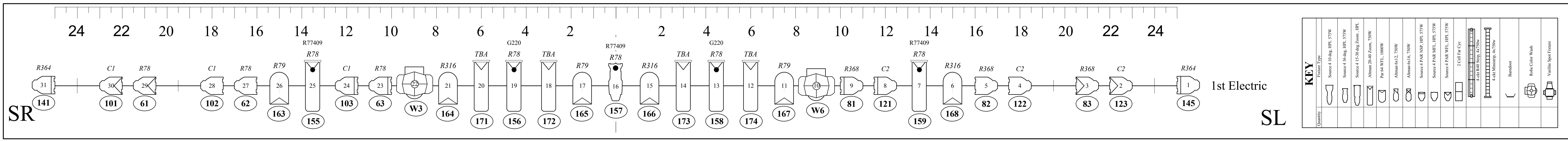


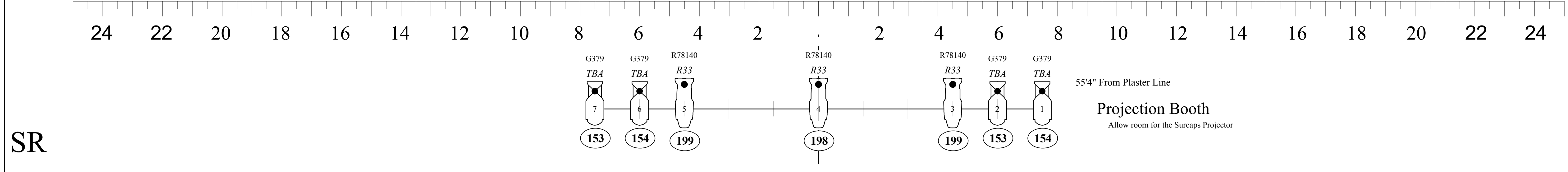
Lighting Designer: Chad Bonaker  
Cell: (650) 862-8606  
Asst Designer: Corinne O'Sullivan  
Cell: ?

Scale: 1/4" = 1'-0"  
Date: 05/19/09  
Version: 1.1  
Drawn By: CSB

**LIGHT PLOT**

Utah Festival Opera Company  
**2010 Festival Rep Plot v2**  
May, 2010

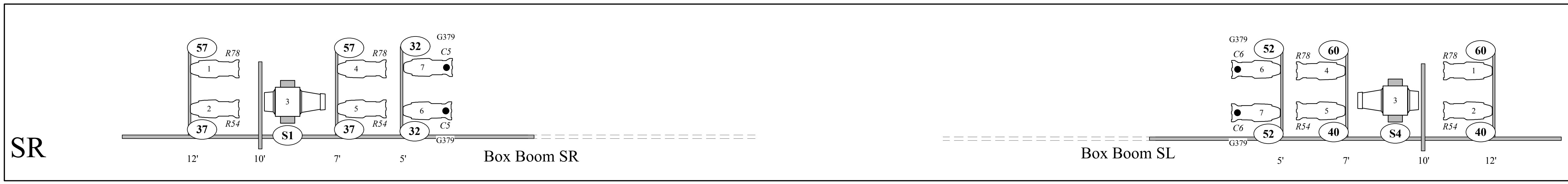




SR

SL

Quantity	Fixture Type
1	Source 4 10 deg. HPL 575W
1	Source 4 36 deg. HPL 575W
1	Source 4 15-30 deg Zoom - HPL
1	Alman 20-40 Zoom, 750W
1	Par 64 WFL, 1000W
1	Alman 6x12, 750W
1	Alman 6x16, 750W
1	Source 4 PAR NSP, HPL 575W
1	Source 4 PAR MFL, HPL 575W
1	Source 4 PAR WFL, HPL 575W
1	2 Cell Far Cyc
1	4-ckt R40 Strip, 4x750w
1	4-ckt Mini-strip, 4x750w
1	Barndoor
1	Robe Color Wash
1	Vanline Spot Fixture



SR

SL

Quantity	Fixture Type
1	Source 4 10 deg. HPL 575W
1	Source 4 36 deg. HPL 575W
1	Source 4 15-30 deg Zoom - HPL
1	Alman 20-40 Zoom, 750W
1	Par 64 WFL, 1000W
1	Alman 6x12, 750W
1	Alman 6x16, 750W
1	Source 4 PAR NSP, HPL 575W
1	Source 4 PAR MFL, HPL 575W
1	Source 4 PAR WFL, HPL 575W
1	2 Cell Far Cyc
1	4-ckt R40 Strip, 4x750w
1	4-ckt Mini-strip, 4x750w
1	Barndoor
1	Robe Color Wash
1	Vanline Spot Fixture

